

| | |
|---------------------|--|
| Product description | M12-D cable connector, Contacts: 4, 6.0 - 8.0 mm, shieldable, screw clamp, IP67, UL |
| Area | M12-D series 825 |
| Order number | 99 3729 810 04 |

| Illustration | Scale drawing | Contact arrangement | | | | | | | | | | | | | | | |
|--------------|---------------|---|--|---|---|---|------|------|---|------|------|---|-------|------|---|------|-------|
| | | <table border="1" style="margin: 10px;"> <thead> <tr> <th></th> <th>X</th> <th>Y</th> </tr> </thead> <tbody> <tr> <td>1</td> <td>2,50</td> <td>0,00</td> </tr> <tr> <td>2</td> <td>0,00</td> <td>2,50</td> </tr> <tr> <td>3</td> <td>-2,50</td> <td>0,00</td> </tr> <tr> <td>4</td> <td>0,00</td> <td>-2,50</td> </tr> </tbody> </table> <ul style="list-style-type: none"> 1 gelb 2 weiß 3 orange 4 blau | | X | Y | 1 | 2,50 | 0,00 | 2 | 0,00 | 2,50 | 3 | -2,50 | 0,00 | 4 | 0,00 | -2,50 |
| | X | Y | | | | | | | | | | | | | | | |
| 1 | 2,50 | 0,00 | | | | | | | | | | | | | | | |
| 2 | 0,00 | 2,50 | | | | | | | | | | | | | | | |
| 3 | -2,50 | 0,00 | | | | | | | | | | | | | | | |
| 4 | 0,00 | -2,50 | | | | | | | | | | | | | | | |

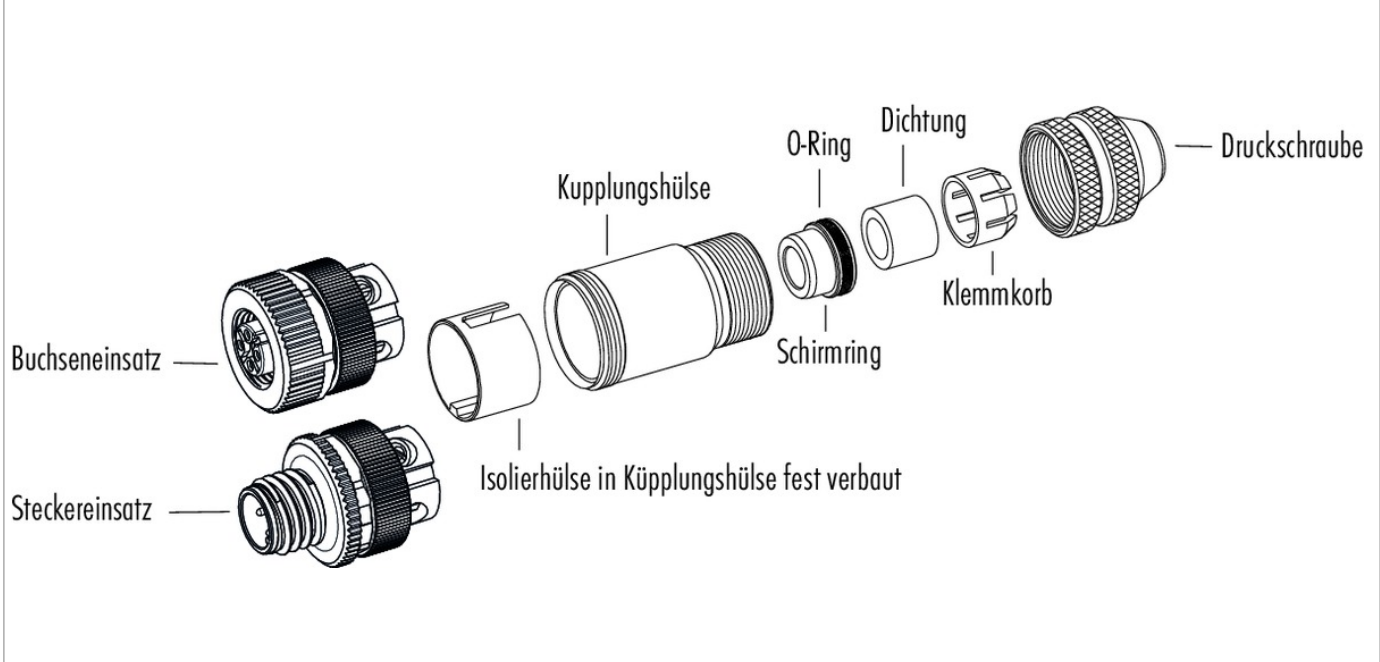
You can find the component part drawing and assembly instructions on the next page.

Technical data

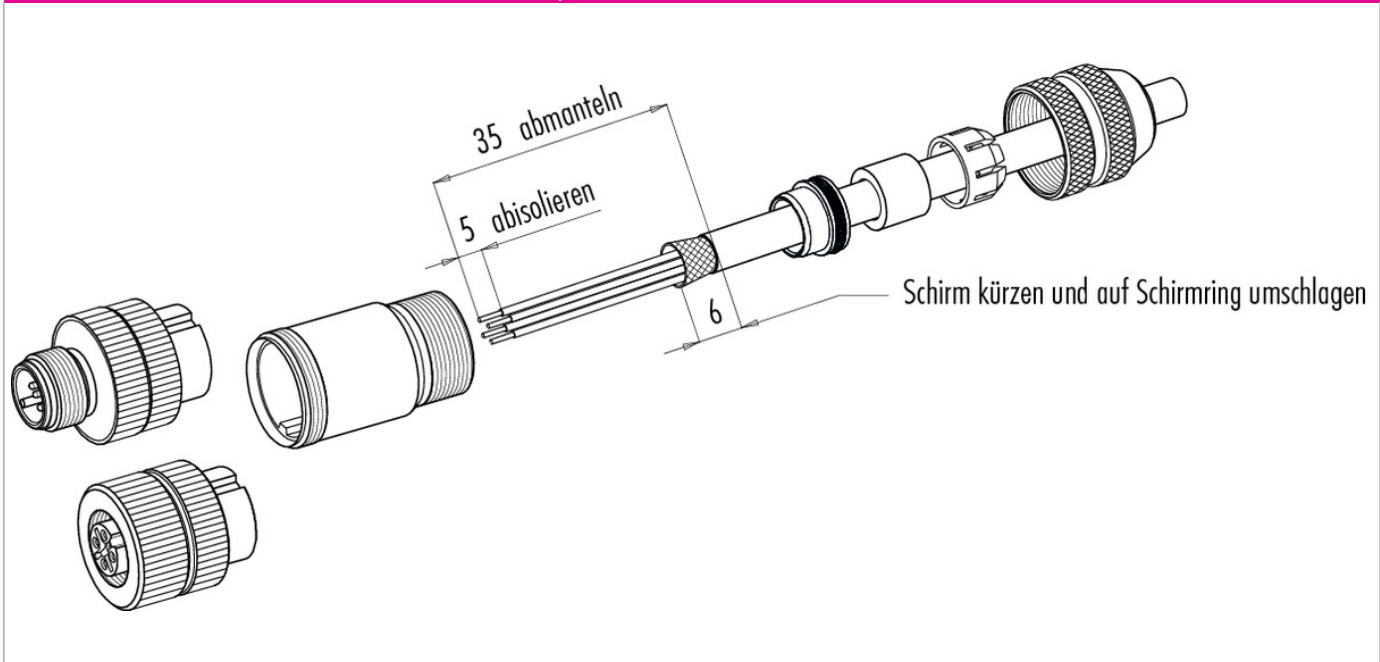
| | | | | | | | | | | | | | | | | | | | | | | | | | | | | | | | | | | | | | | | | | | | |
|--|-----------------------------|------------------|-----------------|--|-------|------------------|--------------|-----------------|----------------------|-----------------------|----|------------------|-----------------------------|-------------------------|-------|-------------------------|---------|----------|-------|-----------------------|----------|---|--|-----------------------|-----|---------------|-------|-----------------------|--------|------------------|---|----------------------|----|---------------------------|-----|-----------------------|----------------------|----------------|------------|----------------------|------|----------------------|---------------------|
| <h3 style="color: #e91e63; margin: 0;">General values</h3> <table border="0"> <tr><td>Connector design</td><td>cable connector</td></tr> <tr><td>Connector locking system</td><td>screw</td></tr> <tr><td>Termination</td><td>screw clamp</td></tr> <tr><td>Wire gauge (mm)</td><td>0.75 mm²</td></tr> <tr><td>Wire gauge (AWG)</td><td>18</td></tr> <tr><td>Cable outlet</td><td>6.0 - 8.0 mm</td></tr> <tr><td>Upper limit temperature</td><td>85 °C</td></tr> <tr><td>Lower limit temperature</td><td>- 40 °C</td></tr> <tr><td>category</td><td>CAT 5</td></tr> <tr><td>Customs tariff number</td><td>85369010</td></tr> </table> | | Connector design | cable connector | Connector locking system | screw | Termination | screw clamp | Wire gauge (mm) | 0.75 mm ² | Wire gauge (AWG) | 18 | Cable outlet | 6.0 - 8.0 mm | Upper limit temperature | 85 °C | Lower limit temperature | - 40 °C | category | CAT 5 | Customs tariff number | 85369010 | <h3 style="color: #e91e63; margin: 0;">Electrical values</h3> <table border="0"> <tr><td>Rated current (40 °C)</td><td>4 A</td></tr> <tr><td>Rated voltage</td><td>250 V</td></tr> <tr><td>Rated impulse voltage</td><td>2500 V</td></tr> <tr><td>Pollution degree</td><td>3</td></tr> <tr><td>Overvoltage category</td><td>II</td></tr> <tr><td>Insulating material group</td><td>III</td></tr> <tr><td>Insulation resistance</td><td>≥ 10¹⁰ Ω</td></tr> <tr><td>EMC compliance</td><td>shieldable</td></tr> <tr><td>Degree of protection</td><td>IP67</td></tr> <tr><td>Mechanical operation</td><td>> 100 Mating cycles</td></tr> </table> | | Rated current (40 °C) | 4 A | Rated voltage | 250 V | Rated impulse voltage | 2500 V | Pollution degree | 3 | Overvoltage category | II | Insulating material group | III | Insulation resistance | ≥ 10 ¹⁰ Ω | EMC compliance | shieldable | Degree of protection | IP67 | Mechanical operation | > 100 Mating cycles |
| Connector design | cable connector | | | | | | | | | | | | | | | | | | | | | | | | | | | | | | | | | | | | | | | | | | |
| Connector locking system | screw | | | | | | | | | | | | | | | | | | | | | | | | | | | | | | | | | | | | | | | | | | |
| Termination | screw clamp | | | | | | | | | | | | | | | | | | | | | | | | | | | | | | | | | | | | | | | | | | |
| Wire gauge (mm) | 0.75 mm ² | | | | | | | | | | | | | | | | | | | | | | | | | | | | | | | | | | | | | | | | | | |
| Wire gauge (AWG) | 18 | | | | | | | | | | | | | | | | | | | | | | | | | | | | | | | | | | | | | | | | | | |
| Cable outlet | 6.0 - 8.0 mm | | | | | | | | | | | | | | | | | | | | | | | | | | | | | | | | | | | | | | | | | | |
| Upper limit temperature | 85 °C | | | | | | | | | | | | | | | | | | | | | | | | | | | | | | | | | | | | | | | | | | |
| Lower limit temperature | - 40 °C | | | | | | | | | | | | | | | | | | | | | | | | | | | | | | | | | | | | | | | | | | |
| category | CAT 5 | | | | | | | | | | | | | | | | | | | | | | | | | | | | | | | | | | | | | | | | | | |
| Customs tariff number | 85369010 | | | | | | | | | | | | | | | | | | | | | | | | | | | | | | | | | | | | | | | | | | |
| Rated current (40 °C) | 4 A | | | | | | | | | | | | | | | | | | | | | | | | | | | | | | | | | | | | | | | | | | |
| Rated voltage | 250 V | | | | | | | | | | | | | | | | | | | | | | | | | | | | | | | | | | | | | | | | | | |
| Rated impulse voltage | 2500 V | | | | | | | | | | | | | | | | | | | | | | | | | | | | | | | | | | | | | | | | | | |
| Pollution degree | 3 | | | | | | | | | | | | | | | | | | | | | | | | | | | | | | | | | | | | | | | | | | |
| Overvoltage category | II | | | | | | | | | | | | | | | | | | | | | | | | | | | | | | | | | | | | | | | | | | |
| Insulating material group | III | | | | | | | | | | | | | | | | | | | | | | | | | | | | | | | | | | | | | | | | | | |
| Insulation resistance | ≥ 10 ¹⁰ Ω | | | | | | | | | | | | | | | | | | | | | | | | | | | | | | | | | | | | | | | | | | |
| EMC compliance | shieldable | | | | | | | | | | | | | | | | | | | | | | | | | | | | | | | | | | | | | | | | | | |
| Degree of protection | IP67 | | | | | | | | | | | | | | | | | | | | | | | | | | | | | | | | | | | | | | | | | | |
| Mechanical operation | > 100 Mating cycles | | | | | | | | | | | | | | | | | | | | | | | | | | | | | | | | | | | | | | | | | | |
| <h3 style="color: #e91e63; margin: 0;">Cable data</h3> <table border="0"> <tr><td>Approval 1</td><td>UL</td></tr> </table> | | Approval 1 | UL | <h3 style="color: #e91e63; margin: 0;">Material</h3> <table border="0"> <tr><td>Contact material</td><td>CuZn (brass)</td></tr> <tr><td>Contact plating</td><td>Au (gold)</td></tr> <tr><td>Contact body material</td><td>PA</td></tr> <tr><td>Housing material</td><td>Zinc die-cast nickel-plated</td></tr> </table> | | Contact material | CuZn (brass) | Contact plating | Au (gold) | Contact body material | PA | Housing material | Zinc die-cast nickel-plated | | | | | | | | | | | | | | | | | | | | | | | | | | | | | | |
| Approval 1 | UL | | | | | | | | | | | | | | | | | | | | | | | | | | | | | | | | | | | | | | | | | | |
| Contact material | CuZn (brass) | | | | | | | | | | | | | | | | | | | | | | | | | | | | | | | | | | | | | | | | | | |
| Contact plating | Au (gold) | | | | | | | | | | | | | | | | | | | | | | | | | | | | | | | | | | | | | | | | | | |
| Contact body material | PA | | | | | | | | | | | | | | | | | | | | | | | | | | | | | | | | | | | | | | | | | | |
| Housing material | Zinc die-cast nickel-plated | | | | | | | | | | | | | | | | | | | | | | | | | | | | | | | | | | | | | | | | | | |

| | |
|---------------------|---|
| Product description | M12-D cable connector, Contacts: 4, 6.0 - 8.0 mm, shieldable, screw clamp, IP67, UL |
| Area | M12-D series 825 |
| Order number | 99 3729 810 04 |

Component part drawing



Assembly instructions / Panel cut-out



| | |
|---------------------|--|
| Product description | M12-D cable connector, Contacts: 4, 6.0 - 8.0 mm, shieldable, screw clamp, IP67, UL |
| Area | M12-D series 825 |
| Order number | 99 3729 810 04 |

Security notices

The connector must not be connected or separated under load. Non-observance and incorrect use can result in personal injury.

The connectors are designed for use in plant, control system and electrical equipment. The end user is responsible for checking whether the connectors are suitable for use in other applications.

To prevent the connector being opened unintentionally when used in electrical circuits containing hazardous life parts, the thread between the housing and the connector head must be secured using a suitable cyanoacrylate adhesive. This does not apply to connectors used in SELV and PELV circuits according to IEC 61140 (EN 61140, VDE 0140-1).

Connectors used in electrical circuits containing hazardous life parts must only be assembled and used by or under the supervision of persons with the requisite electrotechnical training, taking the applicable regulations and standards into account.

Connectors with degree of protection IP 67 and IP 68 are not suitable for use under water. When used outdoors, the connectors must be separately protected against corrosion. For further information about IP degrees of protection refer to 'Technical support' in the Download Centre.

To lock the cable connector to the equipment connector, the threaded ring is tightened until it is 'finger-tight' (approx. 50 cNm).